



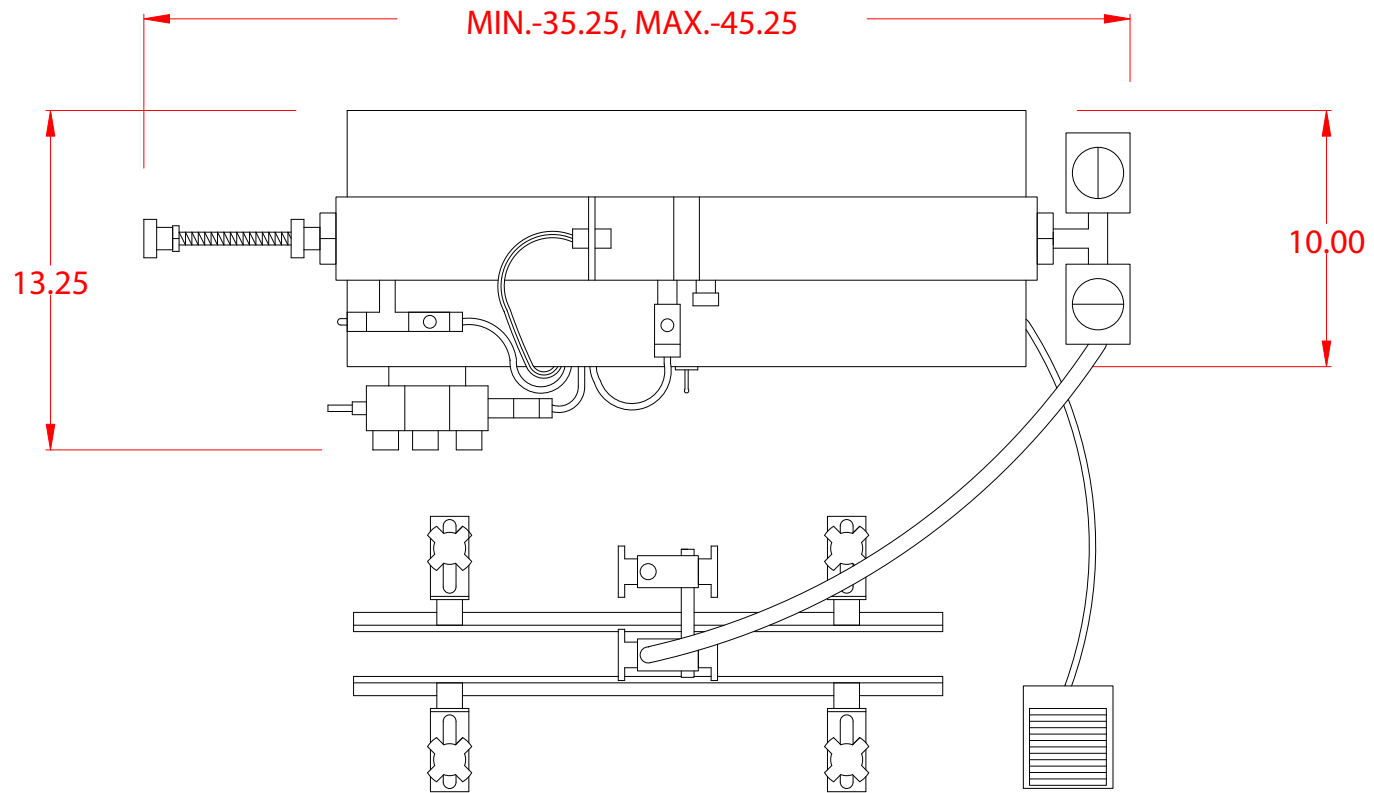
Manufacturers of Quality  
Packaging Equipment

579 BARROW PARK DRIVE  
WINDER, GEORGIA 30680  
PHONE (770) 496-5712

## SUREKAP MODEL SKF1000

HEIGHT: FILLER 12.25"

TOP VIEW



HEIGHT: FILL STATION: 16.0"