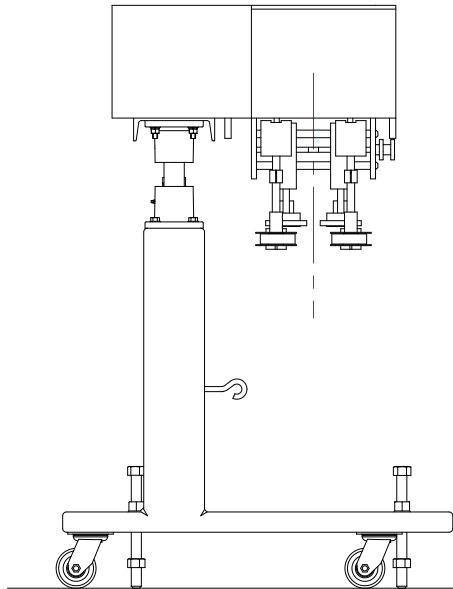
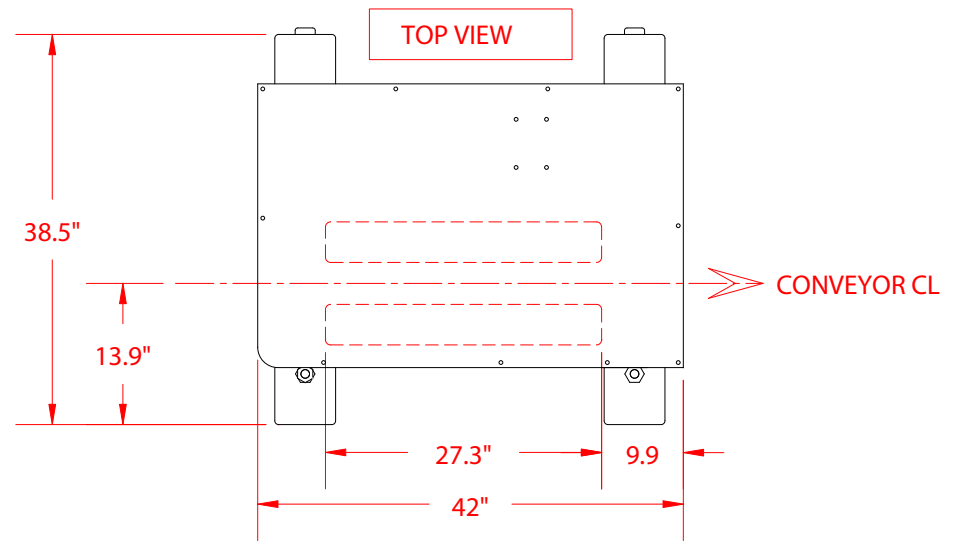




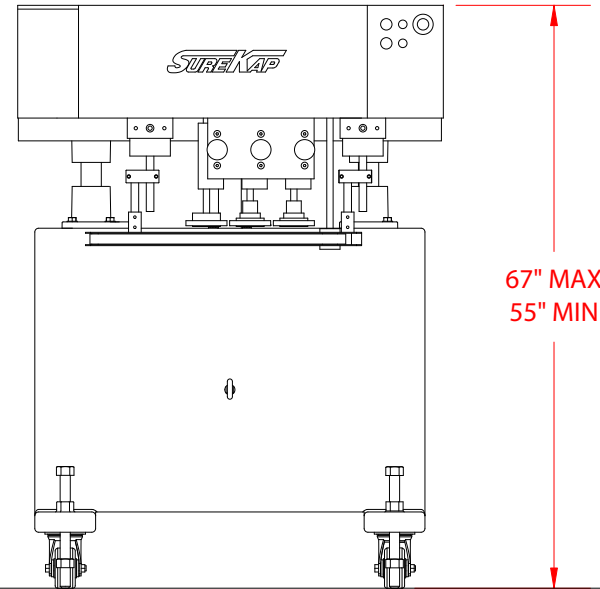
**Manufacturers of Quality
Packaging Equipment**

579 BARROW PARK DRIVE
WINDER, GEORGIA 30680
PHONE (770) 496-5712

SUREKAP MODEL SK600



SIDE VIEW



FRONT VIEW

15FEB99

* THE DIMENSIONS ASSUME A STANDARD CONVEYOR HEIGHT OF 34" AND A STANDARD MACHINE FRAME.