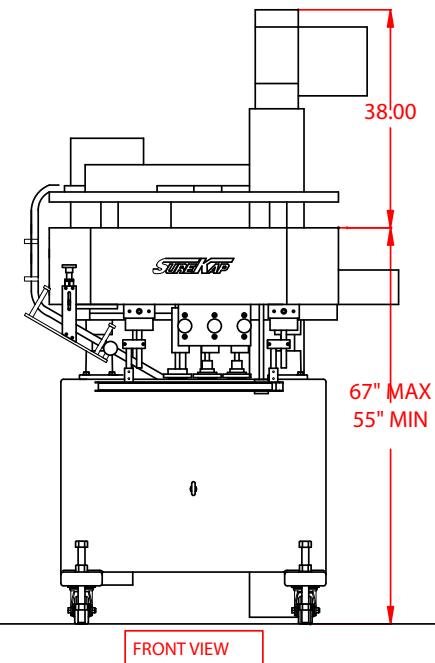
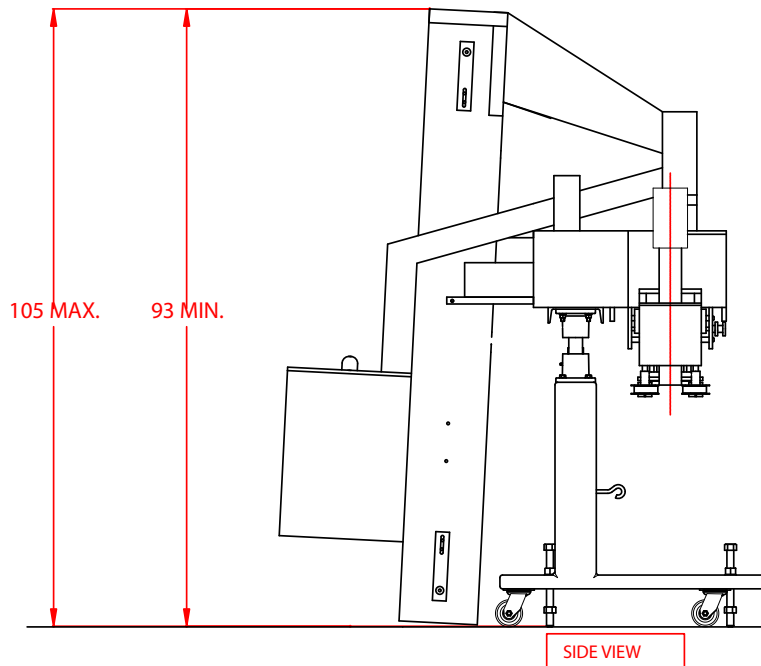
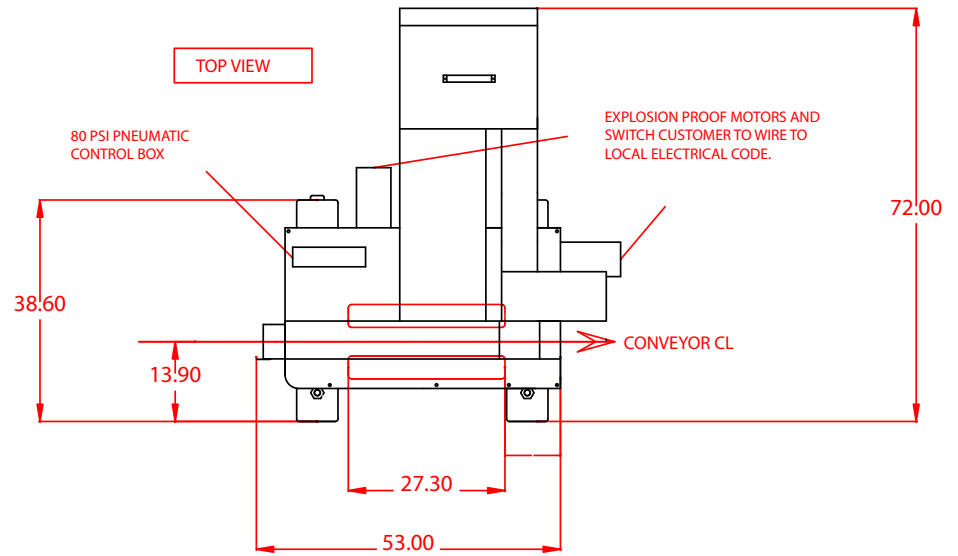




Manufacturers of Quality
Packaging Equipment

579 BARROW PARK DRIVE
WINDER, GEORGIA 30680
PHONE (770) 496-5712

SUREKAP MODEL SK6000-BF6
ELECTRIC AND PNEUMATIC
LEFT TO RIGHT FEED



22FEB05

* THE DIMENSIONS ASSUME A STANDARD CONVEYOR HEIGHT OF 34" AND A STANDARD MACHINE FRAME.