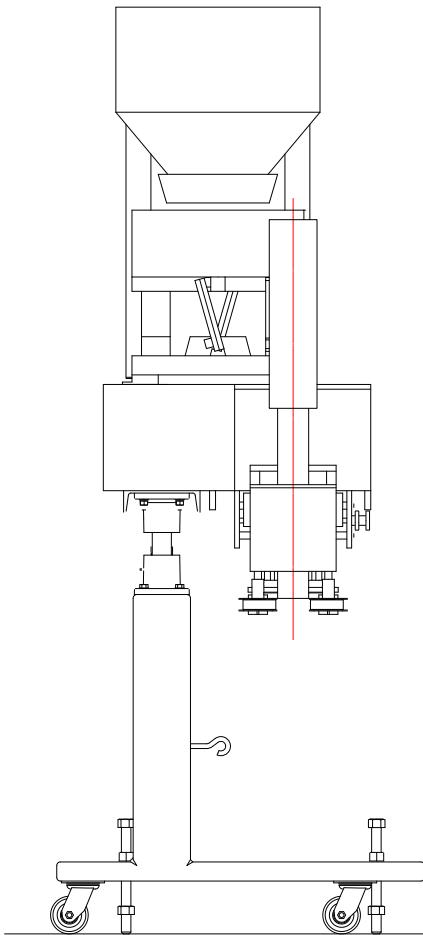
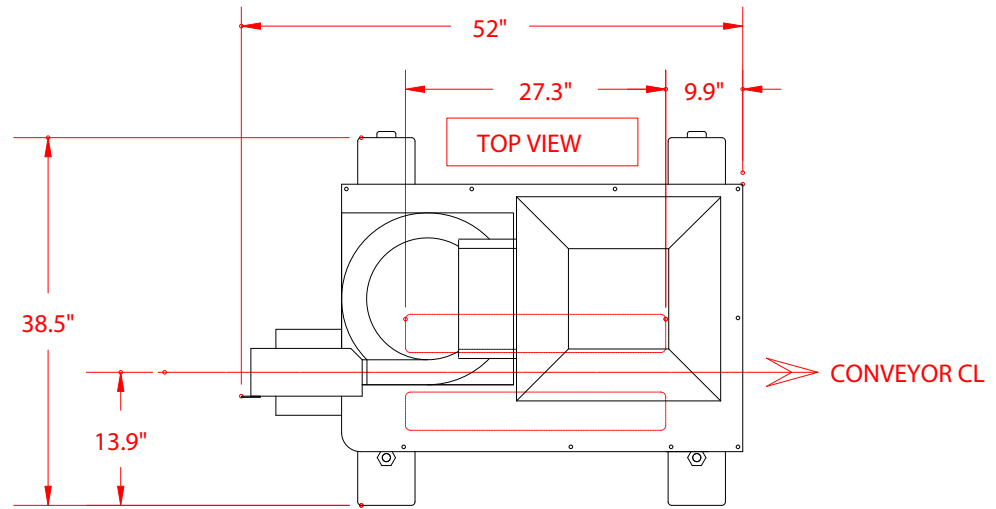




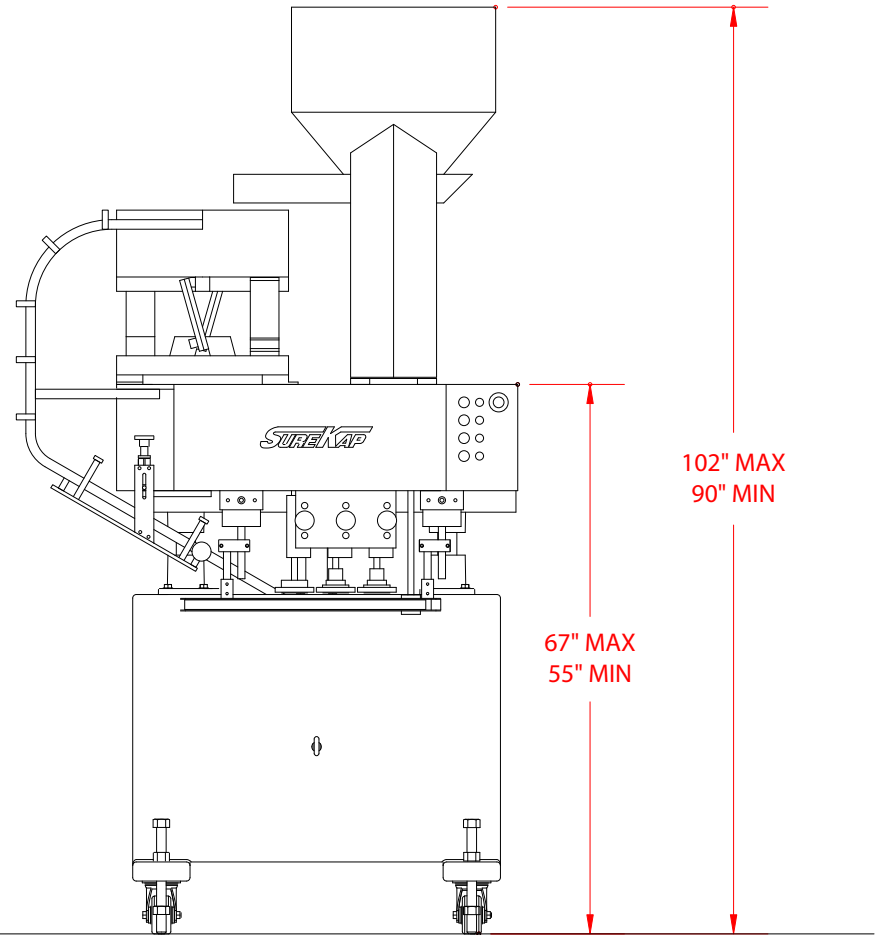
Manufacturers of Quality
Packaging Equipment

579 BARROW PARK DRIVE
WINDER, GEORGIA 30680
PHONE (770) 496-5712

SUREKAP MODEL SK-6000-18 LEFT TO RIGHT FEED



SIDE VIEW



FRONT VIEW

REV. 14OCT03 BB

* THE DIMENSIONS ASSUME A STANDARD CONVEYOR HEIGHT OF 34" AND A STANDARD MACHINE FRAME.