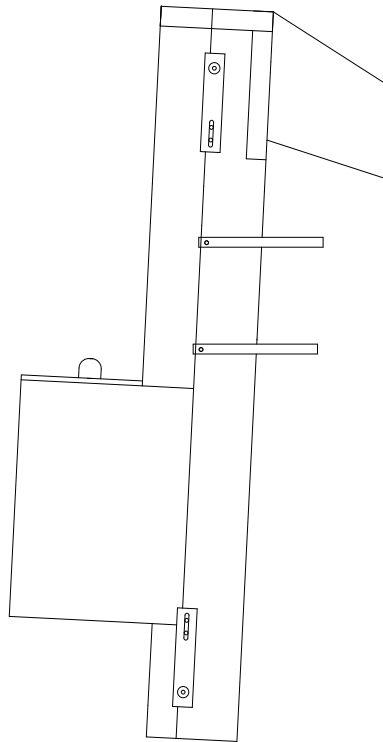




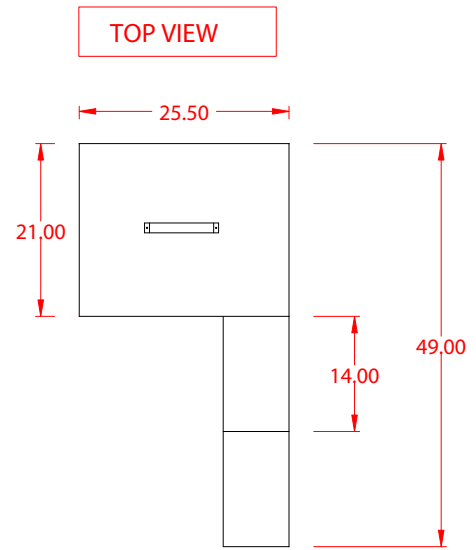
**Manufacturers of Quality  
Packaging Equipment**

579 BARROW PARK DRIVE  
WINDER, GEORGIA 30680  
PHONE (770) 496-5712

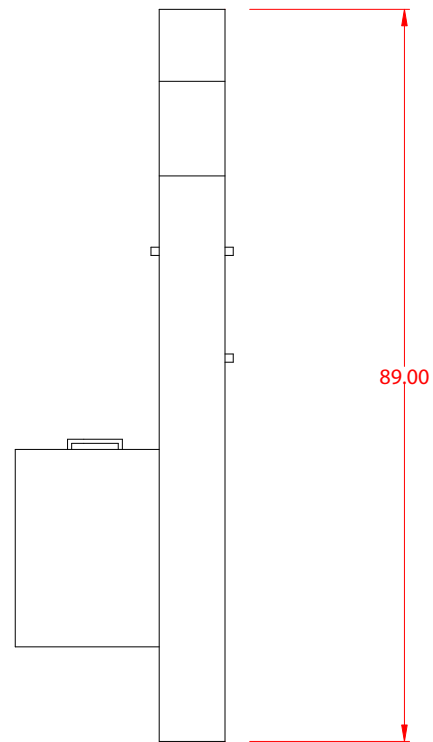
### SUREKAP MODEL SK0406 ELEVATOR



SIDE VIEW



DIM. ± TO CUSTOMER  
REQUIREMENTS



FRONT VIEW